

PRODUCT INFORMATION PACKET

Model No: 449THFS8048

Catalog No: Y533

350 HP Variable Speed Motor, 3 phase, 1800 RPM, 460 V, 449T Frame, TEBC
2000:1 With Encoder Provision Motors





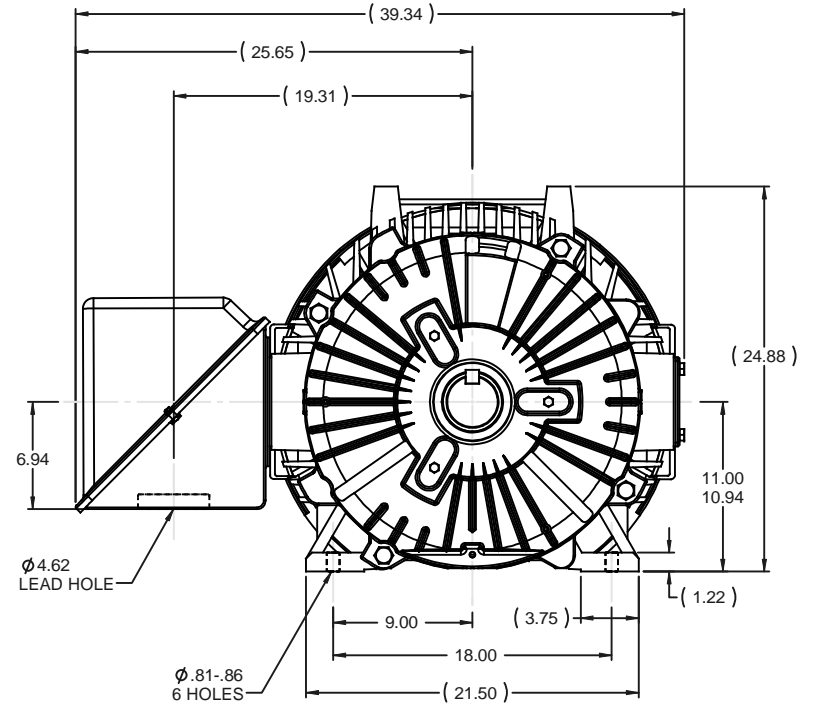
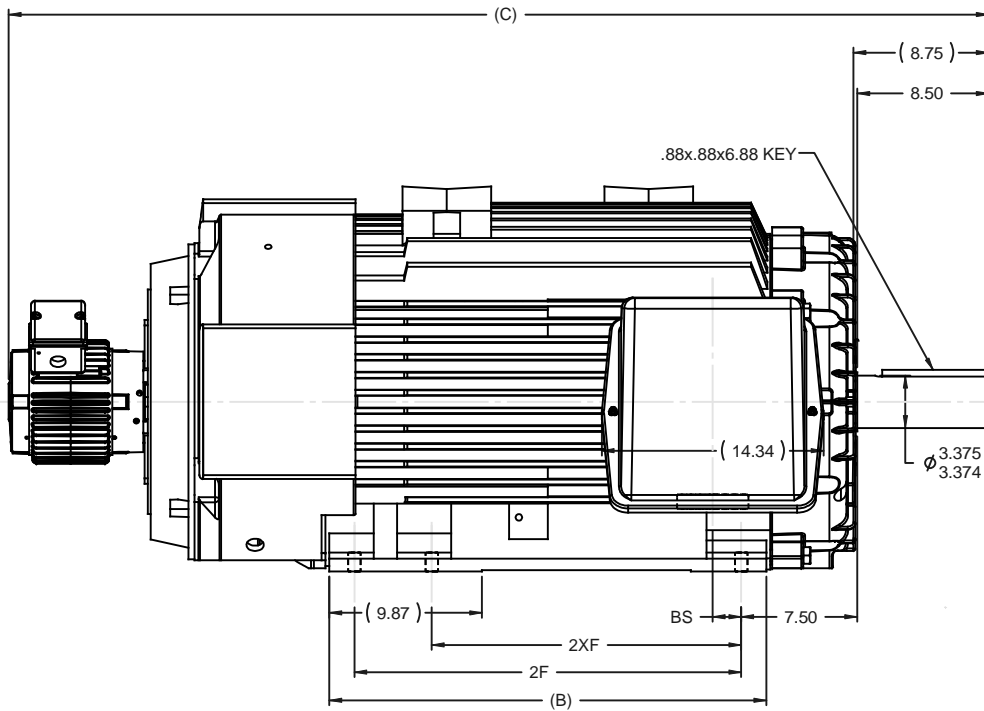
Nameplate Specifications

Output HP	350 Hp	Output KW	260.0 kW
Frequency	60 Hz	Voltage	460 V
Current	385.0 A	Speed	1784 rpm
Service Factor	1	Phase	3
Efficiency	95.4 %	Power Factor	90
Duty	Continuous	Insulation Class	H
Design Code	INV	KVA Code	H
Frame	447/449T	Enclosure	Totally Enclosed Blower cooled - Axial
Thermal Protection	Thermostats (N/C)	Ambient Temperature	40 °C
Drive End Bearing Size	6319	Opp Drive End Bearing Size	6318
UL	Recognized	CSA	Y
CE	Y	IP Code	43

Technical Specifications

Electrical Type	Squirrel Cage Inverter Duty	Starting Method	Inverter Only
Poles	4	Rotation	Reversible
Resistance Main	.0085 Ohms	Mounting	Rigid base
Motor Orientation	Horizontal	Drive End Bearing	Ball
Opp Drive End Bearing	Ball	Frame Material	Cast Iron
Shaft Type	T	Overall Length	63.34 in
Frame Length	28.75 in	Shaft Diameter	3.375 in
Shaft Extension	8.75 in	Assembly/Box Mounting	F1/F2 CAPABLE
Connection Drawing	A-EE7300T	Outline Drawing	B-SS515608-2875

This is an uncontrolled document once printed or downloaded and is subject to change without notice. Date Created:05/05/2020



NOTES:

- 1- C'BOX CAN BE ROTATED IN 90° STEPS.
- 2- NAMEPLATES TO BE READ FROM C'BOX SIDE OF MOTOR.

DASH	FRAME	B	C	2F	2XF	BS
2875	447T	28.25	63.34		20.00	1.97
2875	449T	28.25	63.34	25.00		1.97

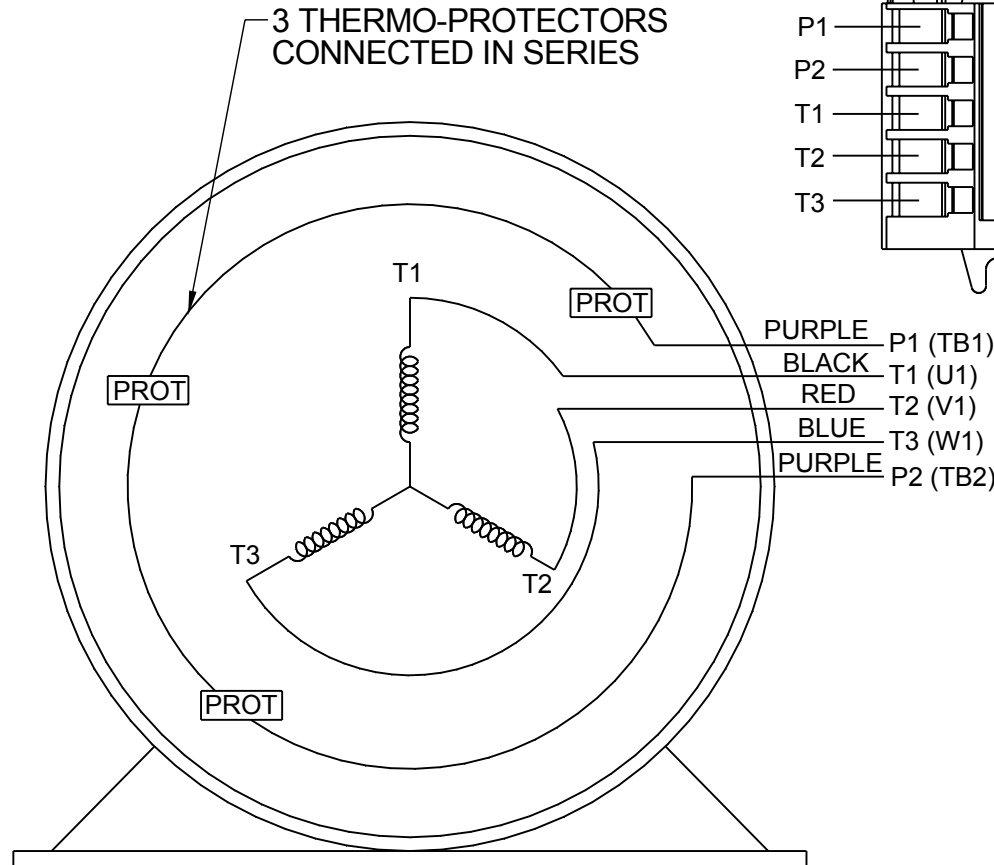
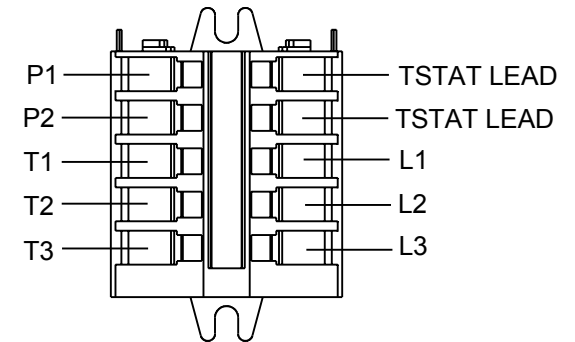
6	REMOVED BAFFLE CN 39113	DRS 07-22-2008	ML	TOLERANCES UNLESS SPECIFIED		DRAWN DJK 08-13-1996		
5	ADDED EXTERNAL BAFFLE CN 39113	DRS 06-22-2008	ML	DEC INCHES		CHK ML 08-13-1996		
4	UPDATED C'BOX GEOMETRY CN 28404	DRS 01-10-2003	JHL	x ±.1		APPR TB 08-14-1996		
3	BLOWER MOTOR ROTATED 90° C'BOX @ F3 CN 24459	PGK 07-09-1997	.XX	±.03		SCALE 1:8		
2	ADDED GROUND PADS & HOLES TO FRAME CN 21725-983	MH 04-30-1997	XXX	±.005		REF		
1	NEW DRAWING MU10478	DJK 08-14-1996	XXXX	±.0005		FMF		
NO	REVISION	BY & DATE	CHK	ANG ±7'30"	FINISH	PREV		
THIS DRAWING IN DESIGN AND DETAIL IS OUR PROPERTY AND MUST NOT BE USED EXCEPT IN CONNECTION WITH OUR WORK. ALL RIGHTS OF DESIGN AND INVENTION ARE RESERVED. THIS IS AN ELECTRONICALLY GENERATED DOCUMENT - DO NOT SCALE THIS PRINT					CAD FILE SS515608	SIZE B	DRAWING NO SS515608	REV 6
					RFP			
					DIST WA			

**THREE PHASE - SINGLE VOLTAGE
MOTOR - CONDUIT BOX @ 'A'**

**TO REVERSE ROTATION:
INTERCHANGE ANY TWO LINE
LEAD CONNECTIONS**

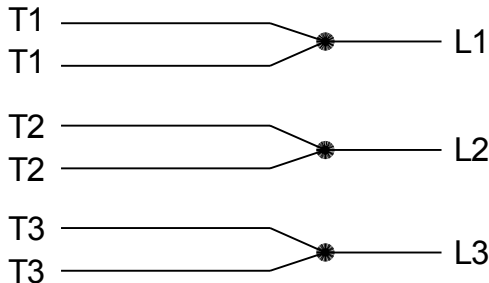
**NOTE FOR FACTORY USE ONLY:
TO SURGE TEST:
FOR 3 LEAD COMMON CONNECT:
CONNECT P1 TO T1 THEN P2 TO L1
FOR 6 LEAD COMMON CONNECT:
CONNECT P1 TO BOTH T1
THEN P2 TO L1**

TERMINAL BLOCK WHEN SPECIFIED



VIEW OF TERMINAL END

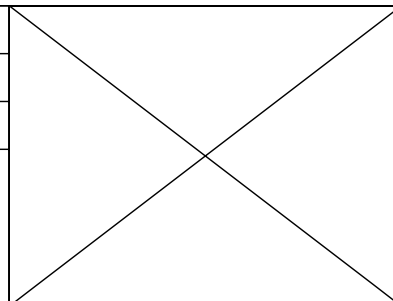
**IF MOTOR HAS MULTIPLE
T'S PER LEAD CONNECT
TOGETHER LIKE T'S**



A-9806 DECAL

- T2BM
- T6AW
- T6AL
- T6Z
- T4EG
- T4BF
- T8A
- T6H
- T6A
- T4AX
- T4A
- T2A
- T2F

DRAWING REVISION AB	REVISION BY AJW	DATE 07-17-2015
ECO ECO-0081632	APPROVED BY T.VUE	DATE 07-17-2015
ECO DESCRIPTION REV'D IEC MARKINGS PER IEC-60034-8		
<small>COPYRIGHT REGAL BELOIT AMERICA, INC. ALL RIGHTS RESERVED. PROPRIETARY AND CONFIDENTIAL INFORMATION - THIS DOCUMENT IS THE PROPERTY OF REGAL BELOIT AMERICA, INC. ("OWNER") AND CONTAINS OWNER'S PROPRIETARY INFORMATION. ANY PERSON, CORPORATION OR OTHER FIRM RECEIVING IT IS DEEMED, BY RECEIVING IT, TO AGREE THAT IT, AND/OR ANY PART OF IT, SHALL NOT BE DISCLOSED TO ANY PERSON, CORPORATION OR OTHER ENTITY, DUPLICATED, AND/OR USED, EXCEPT AS EXPRESSLY APPROVED IN WRITING IN ADVANCE BY OWNER. THIS DOCUMENT SHALL BE RETURNED TO OWNER UPON REQUEST. IT MAY BE SUBJECT TO CERTAIN RESTRICTIONS UNDER APPLICABLE EXPORT CONTROL LAWS AND REGULATIONS.</small>		



DRAWN BY LZ	Regal Beloit America, Inc.	
DATE 01-04-1994		
APPROVED BY GK	DESCRIPTION CONN DIAGRAM-EXTERNAL 3Ø-SINGLE VOLT-MOTOR WITH PROTECTOR	
DATE 01-20-1994	MATERIAL	
REFERENCE	PROCESS/FINISH	
THIRD ANGLE PROJECTION	SIZE A	DRAWING NUMBER EE7300T
		SHEET 1 OF 1

CERTIFICATION DATA SHEET

Model#: 449THFS8048 BF **WINDING#:** T449462 NONE 4
CONN. DIAGRAM: A-EE7300T **ASSEMBLY:** F1/F2 CAPABLE
OUTLINE: B-SS515608-2875

TYPICAL MOTOR PERFORMANCE DATA

HP	KW	SYNC. RPM	F.L. RPM	FRAME	ENCLOSURE	KVA CODE	DESIGN
350	260	1800	1784	447/449T	TEBC-AXIAL	H	INV

PH	Hz	VOLTS	FL AMPS	START TYPE	DUTY	INSL	S.F	AMB°C	ELEVATION
3	60	460	385	INVERTER ONLY	CONTINUOUS	H1	1.0	40	3300

FULL LOAD EFF: 95.4	3/4 LOAD EFF: 95.4	1/2 LOAD EFF: 95	GTD. EFF	ELEC. TYPE	NO LOAD AMPS
FULL LOAD PF: 90	3/4 LOAD PF: 89	1/2 LOAD PF: 84	94.5	SQ CAGE INV DUTY	95

F.L. TORQUE	LOCKED ROTOR AMPS	L.R. TORQUE	B.D. TORQUE	F.L. RISE°C
1030 LB-FT	2850	1445 LB-FT 140	2925 LB-FT 284	85

SOUND PRESSURE @ 3 FT.	SOUND POWER	ROTOR WK^2	MAX. WK^2	SAFE STALL TIME	STARTS /HOUR	APPROX. MOTOR WGT
88 dBA	98 dBA	93 LB-FT^2	- LB-FT^2	- SEC.	-	3100 LBS.

EQUIVALENT WYE CKT.PARAMETERS (OHMS PER PHASE)

R1	R2	X1	X2	XM
0.0073801	0.0049471	0.0759096	0.0654477	2.63575

RM	ZREF	XR	TD	TD0
121.65	0.811	9.5	0.0587	1.455

***** SUPPLEMENTAL INFORMATION *****

DE BRACKET TYPE	ODE BRACKET TYPE	MOUNT TYPE	ORIENTATION	SEVERE DUTY	HAZARDOUS LOCATION	DRIP COVER	SCREENS	PAINT
STANDARD	ENCODER	RIGID	HORIZONTAL	FALSE	NONE	FALSE	NONE	BLUE (ENAMEL)

BEARINGS		GREASE	SHAFT TYPE	SPECIAL DE	SPECIAL ODE	SHAFT MATERIAL	FRAME MATERIAL
DE	OPE						
BALL	BALL	POLYREX EM	T	NONE	NONE	1045 HOT ROLLED (C-204)	CAST IRON
6319	6318						

THERMO-PROTECTORS				THERMISTORS	CONTROL	SPACE /n HEATERS
THERMOSTATS	PROTECTORS	WDG RTDs	BRG RTDs			
TSTATS (N/C)	NOT	NONE	NONE	NONE	FALSE	NONE VOLTS

If Inverter equals NONE, contact factory for further information

INVERTER TORQUE: CONSTANT 2000:1
INV. HP SPEED RANGE: 1.5 X BASE SPEED
ENCODER: PROVISIONS ONLY
NONE NONE
NONE NONE PPR
BRAKE: NONE NONE
NONE P/N NONE

*
N
O
T
E
S
*

NONE	NONE		
NONE FT-LB	NONE V	NONE Hz	

DATE: 06/21/2017 06:40:31 AM
FORM 3531 REV.3 02/07/99
** Subject to change without notice.

Data Sheet

Date: 19-06-2017
 Customer: _____
 Attention: _____
 Submitted by: FAREEDA DUDEKULA



449THFS8048

Submittal

Data @ 460 V

Motor Load Data

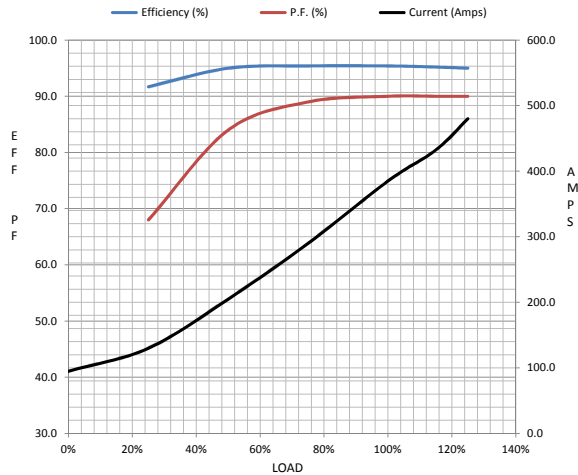
Load	0%	25%	50%	75%	100%	115%	125%	LR
Current (Amps)	95.0	130	205	290	385	433	480	2,850
Torque (ft-lb)	0.00	256	512	770	1,030	1,160	1,290	1,445
RPM	1800	1796	1790	1788	1784	1,782	1,778	0
Efficiency (%)		91.7	95.0	95.4	95.4	95.2	95.0	
P.F. (%)	7.5	68.0	84.0	89.0	90.0	90.0	90.0	25.0

Motor Speed Data

	LR	Pull-Up	BD	Rated	Idle
Speed (RPM)	0	900	1715	1784	1800
Current (Amps)	2,850	2,700	1,450	385	95.0
Torque (ft-lb)	1,445	1,300	2,925	1,030	0.00

Information Block

HP	350.0			
Sync. RPM	1800			
Frame	449			
Enclosure	TEBC			
Construction	TBN			
Voltage	460 V			
Frequency	60 Hz			
Design	A			
LR Code letter	H			
Service Factor	1.15			
Temp Rise @ FL	85 ° C			
Duty	CONT			
Ambient	40 ° C			
Elevation	1,000 feet			
Rotor/Shaft wk ²	93.0 Lb-Ft ²			
Ref Wdg	T449462 NONE			
Sound Pressure @ 1M	88 dBA			
VFD Rating	CONSTANT 2000:1			
Outline Dwg	B-SS515608-2875			
Conn. Diag	A-EE7300T			
Additional Specifications:				
0				
365THFS8036				
EQUIV CKT (OHMS / PHASE)				
R1	R2	X1	X2	Xm
0.0070	0.0050	0.0760	0.0650	2.6360



Speed -Torque Curve

